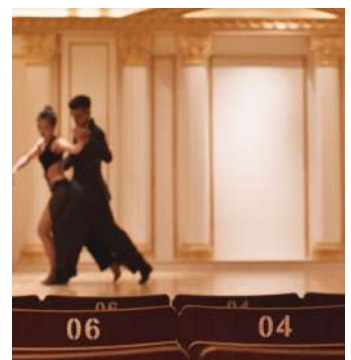




AIR DEHUMIDIFIER FOR FURNISHING MODEL **KPS-50**

Technical sheet with latest revision 07/2022

Suitable for swimming pools, locker rooms, shower rooms, gymnasiums, dance halls and more.



CODE

Product code:	KPS-50
Supplier:	TECNOKLIMA SRL Via della Repubblica, 1 ABCD 40057 Granarolo dell'Emilia (BO) Italy Telephone (+39) 051/6056846 - 051/6066593 - Fax (+39) 051/761367 Email info@tecnoklima.it - assistenza@tecnoklima.it Web site: www.tecnoklima.it

DESCRIPTION

The control of relative humidity in the air is particularly appreciated in swimming pools or changing rooms as, especially in the autumn and winter months, condensation problems are very often extremely serious. In addition to being used in swimming pools, shower rooms and changing rooms, our machines find optimal applications in gyms, dance halls and in general in all structures used for sporting activities. In fact, the activity of the athletes, in addition to the more or less frequent use of the shower rooms and the changing rooms of the gyms, inevitably leads to an excess of relative humidity present in the air with consequent deterioration of the equipment and furnishings. Machine of great reliability and characterized by high performance in terms of condensation capacity and therefore reduction of relative humidity inside the rooms. Dehumidifier particularly suitable for heavy duties or if it is necessary to treat large quantities of air. Peculiarity of our machine is the particular positioning that can be carried out both on the floor and on the wall with an appropriate system of brackets. Available in two versions: furnishing and ductable.

The KPS-50 decorative dehumidifier for swimming pools is a high-performance device, expressly designed for use in swimming pools or where it is necessary to control the humidity rate, preventing condensation phenomena and to ensure excellent environmental comfort. Suitable for small swimming pools or whirlpool rooms. The development of the machine reduces the overall dimensions allowing insertion even in small spaces.

VERSIONS

Version with furniture: the line of furniture dehumidifiers includes a vast range of units for the dehumidification of swimming pool areas, characterized by a modern and elegant aesthetic. High quality products characterized by particularly accurate aesthetics and a refined design of the refrigeration part which guarantees high performance in all conditions of use and with extremely low consumption.

Ducted version: a ducted appliance is the only solution for effectively treating condensation on glass walls, as it allows the blowing grilles to be positioned along the glass. In the pool room you can only see the grates, while the appliance can be installed in the adjacent technical room.

ACCESSORIES

- Electric resistance kit
- Hot water coil
- Remote mechanical humidistat
- Grille and counterframe kit for ducted versions
- Modulating 3-way valve kit installed
- Remote control panel
- Delivery and return plenums at 90° (2 pieces)
- Built-in temperature and humidity electronic probe
- Support feet

TECHNICAL DATA

Humidity removed at 30°C - 80%	49,0 l/24h
Humidity removed at 30°C - 60%	40,1 l/24h
Humidity removed at 27°C - 60%	35,6 l/24h
Humidity removed at 20°C - 60%	25,8 l/24h
Total absorbed power ⁽¹⁾	0,9 kw
Maximum absorbed power ⁽¹⁾	1,2 kw
Supplementary electrical resistance	3 kw
Maximum absorbed current ⁽²⁾	3,9 A
Inrush current	19,1 A
Hot water coil ⁽³⁾	3,5 kw
Air Flow	500 m ³ /h
Useful static head	40
Refrigerant	R410A
Global Warming Power (GWP)	2088
Charge gas	0,47
Charge in CO ₂ equivalent	0,98
Sound power ⁽⁴⁾	54 dB (A)
Sound pressure ⁽⁵⁾	47 dB (A)
Voltage V/Ph/Hz	230/1/50

⁽¹⁾ Units equipped with fans EC.

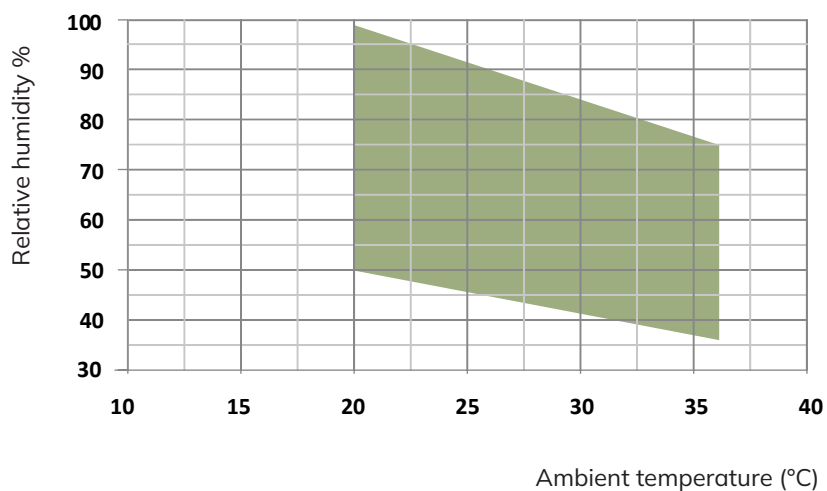
⁽²⁾ Temperature 30°C; humidity 80%..

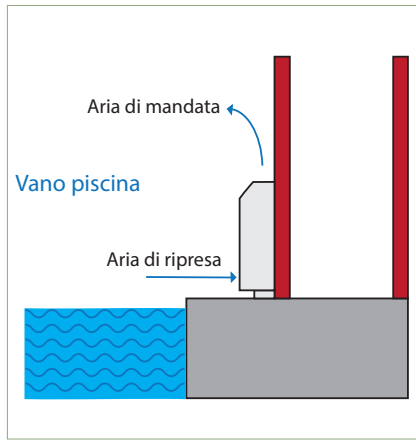
⁽³⁾ Ambient temperature 30°C; water temperature 80/70°C, compressor off.

⁽⁴⁾ Power values calculated according to ISO 9614.

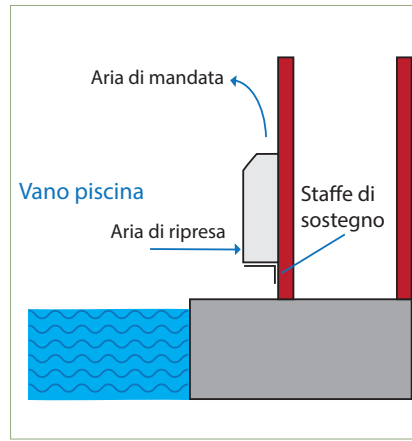
⁽⁵⁾ Sound pressure values measured at a distance of 1 m from the unit in free field according to the ISO 9614 standard.

DEHUMIDIFICATION CAPACITY

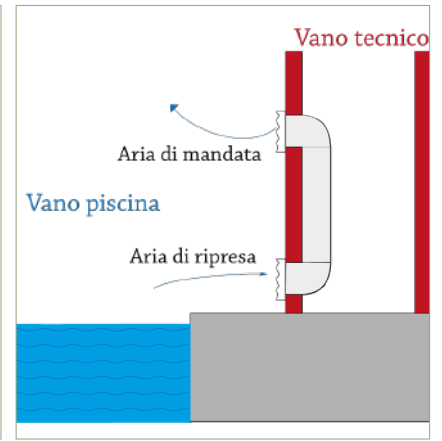




(1) Floor version

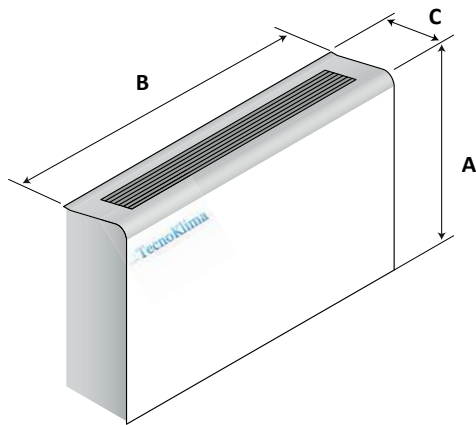


(2) Wall version

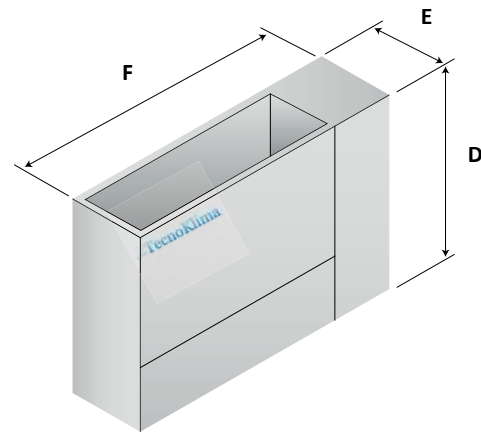


(3) Ducted version

Standard:



Channeled:



Mod.	A (mm)	B (mm)	C (mm)	Kg
KPS- 50 (Standard)	750	760	260	50
Mod.	D (mm)	E (mm)	F (mm)	Kg
KPS- 50 (Channeled)	680	250	706	41

TECNOKLIMA SRL

Air treatment for companies and individuals

Administrative headquarters and warehouse:
Via della Repubblica, 1 ABCD
40057 Granarolo dell'Emilia (BO) Italy

Telephone +39 051/6056846 - 051/6066593
Email info@tecnoklima.it
Web www.tecnoklima.it

The manufacturer reserves the right to make improvements to its products without notice. Features may vary depending on changes made for any customizations.